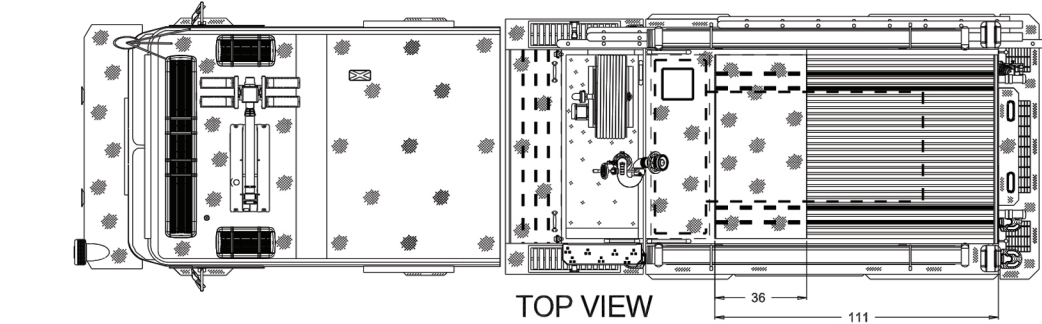


FRONT VIEW

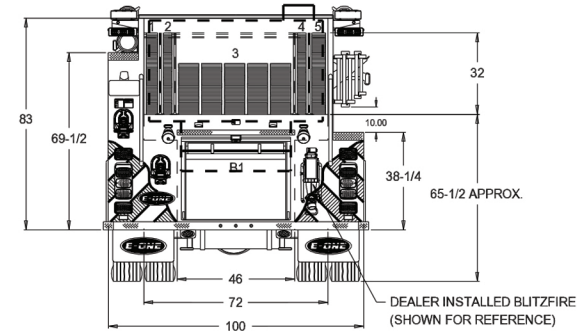
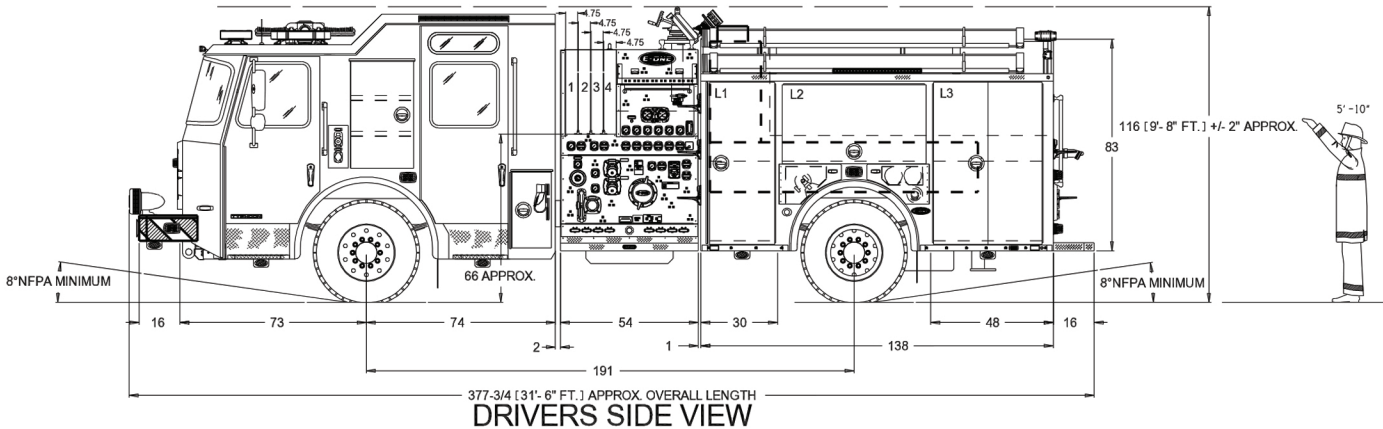


CROSSLAY #1 = 200' OF 1-3/4" HOSE
 CROSSLAY #2 = 200' OF 1-3/4" HOSE
 CROSSLAY #3 = 200' OF 1-3/4" HOSE
 CROSSLAY #4 = 200' OF 1-3/4" HOSE

COMPARTMENT DIMENSIONS		
COMPT.	CLEAR DOOR OPENING (W x H):	COMPARTMENT INTERIOR (W x H x LD/UD):
L1	22-1/2"W x 59"H	26"W x 31-1/4"H x 27"D L / 26"W x 34-1/4"H x 14"D U
L2	52-1/2"W x 28"H	60"W x 34-1/4"H x 14"D
L3	39"W x 59"H	44"W x 31-1/4"H x 27"D L / 44"W x 34-1/4"H x 14"D U
R1	22-1/2"W x 27"H	26"W x 34-1/4"H x 27"D
R2	39"W x 27"H	44"W x 34-1/4"H x 27"D
B1	39"W x 23-3/4"H	46"W x 35"H x 26"D

HOSE BED LAYOUT:

- BED 1 = 400' OF 2-1/2" HOSE
- BED 2 = 400' OF 2" HOSE
- BED 3 = 1000' OF 5" LDH
- BED 4 = 400' OF 2" HOSE
- BED 5 = 400' OF 3" HOSE



REAR VIEW



LITITZ FIRE COMPANY
 SO. NO. 144155 PTSS-TYPN
 PUMPER 530 GALLON L-TANK
 TYPHOON STRECHED LONG 12" VISTA
 FILE NAME: 144155 LITITZ FIRE COMPANY