



NAPLES AIRPORT AUTHORITY

NAPLES, FLORIDA

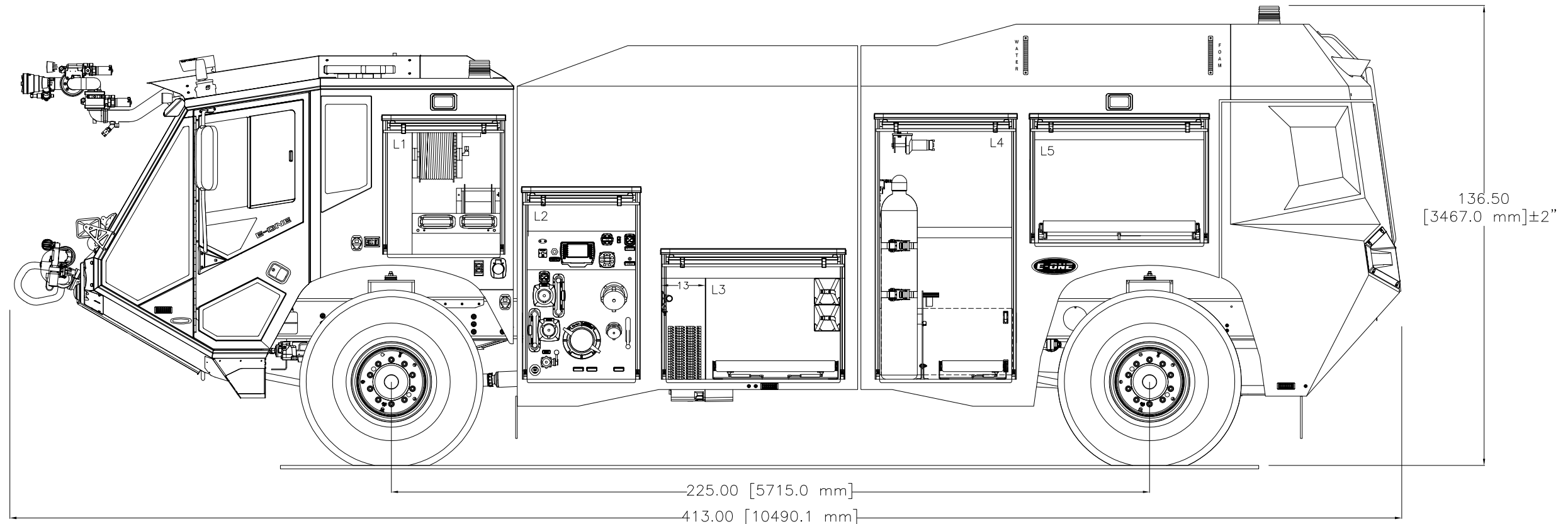
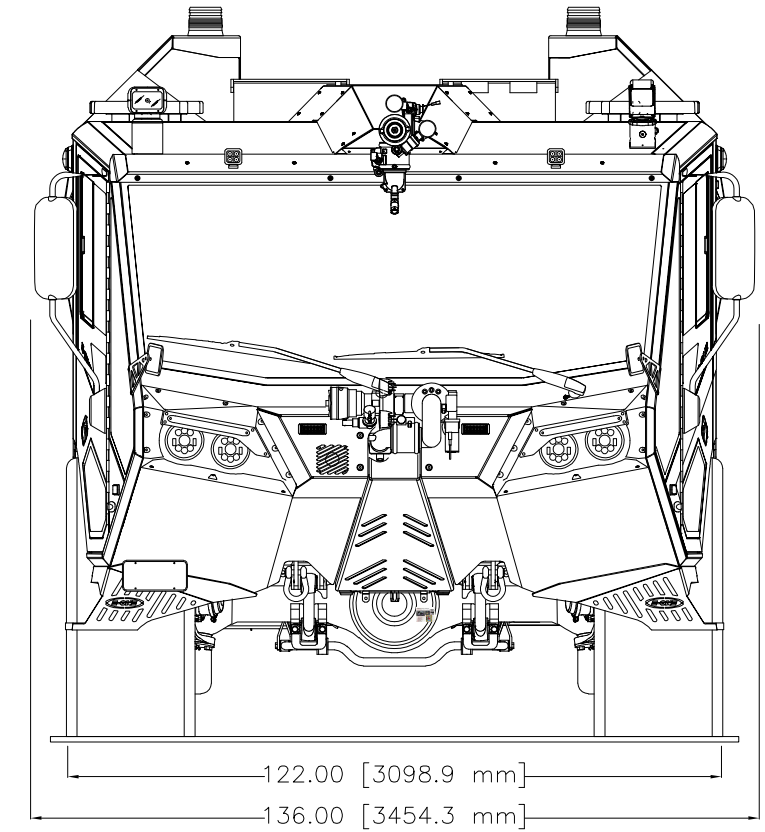
SO144431 / Q104739

ARFF
P801 4X4

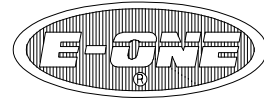
DRY CHEM	500 (226kg) POUNDS
HALOTRON	-----
FOAM TANK	225 (851L) GALLONS
WATER TANK	1585 (6000L) GALLONS
PUMP	DARLEY PSP
WHEELBASE	225 (5715mm) INCHES

THIS DRAWING IS FOR REFERENCE PURPOSES. ALL DIMENSIONS ARE SUBJECT TO MINOR VARIATIONS DUE TO MANUFACTURING PROCESSES.

This print is the property of E-ONE, Inc. and is loaned to you subject to return on demand, unless otherwise agreed to in writing by E-ONE, Inc. Its contents are confidential and must not be copied or submitted to third parties for use or examination.



J NAMROOK	C	ADJUST VIEWS AS BUILT	NOV 22 2021	00
DRAWN BY	REV	DESCRIPTION	DATE	APPROVED
PROPOSAL REVISIONS				SHEET 1 OF 2



NAPLES AIRPORT AUTHORITY

NAPLES, FLORIDA

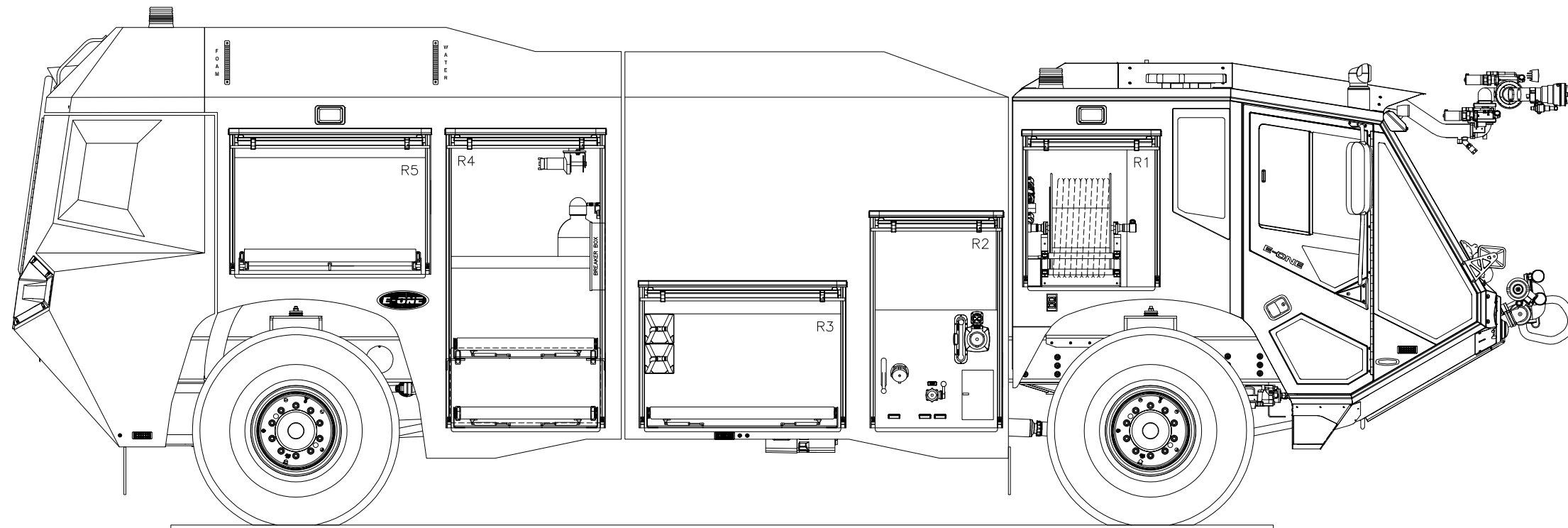
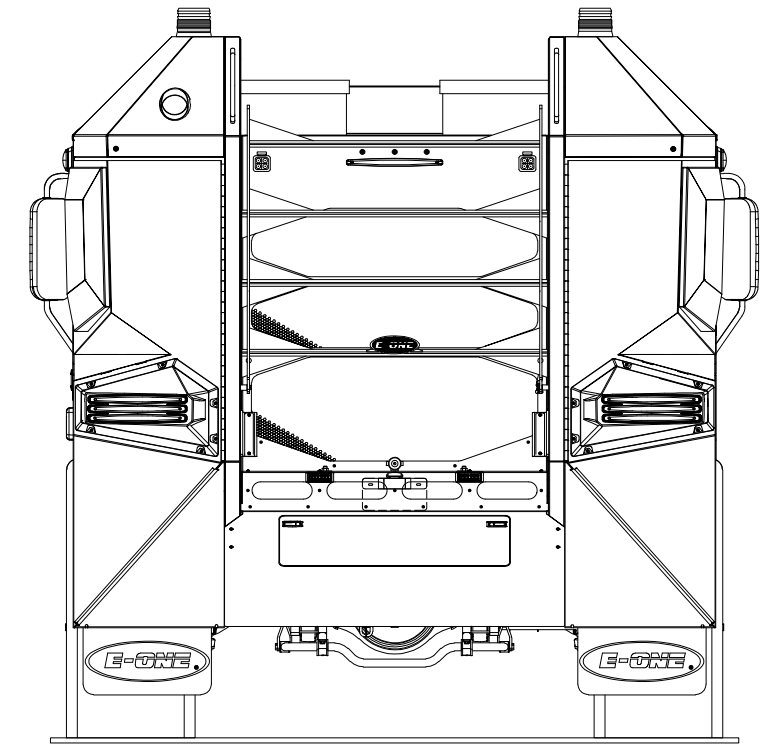
SO144431 / Q104739

ARFF
P801 4X4

DRY CHEM	500 (226kg) POUNDS
HALOTRON	-----
FOAM TANK	225 (851L) GALLONS
WATER TANK	1585 (6000L) GALLONS
PUMP	DARLEY PSP
WHEELBASE	225 (5715mm) INCHES

THIS DRAWING IS FOR REFERENCE PURPOSES. ALL DIMENSIONS ARE SUBJECT TO MINOR VARIATIONS DUE TO MANUFACTURING PROCESSES.

This print is the property of E-ONE, Inc. and is loaned to you subject to return on demand, unless otherwise agreed to in writing by E-ONE, Inc. Its contents are confidential and must not be copied or submitted to third parties for use or examination.



J NAIROOKI	C	ADJUST VIEWS AS BUILT	NOV 22 2021	00
DRAWN BY	REV	DESCRIPTION	DATE	APPROVED
PROPOSAL REVISIONS				SHEET 2 OF 2