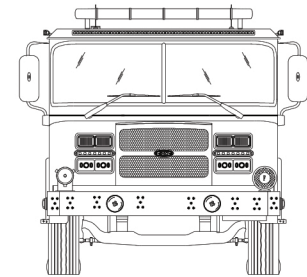
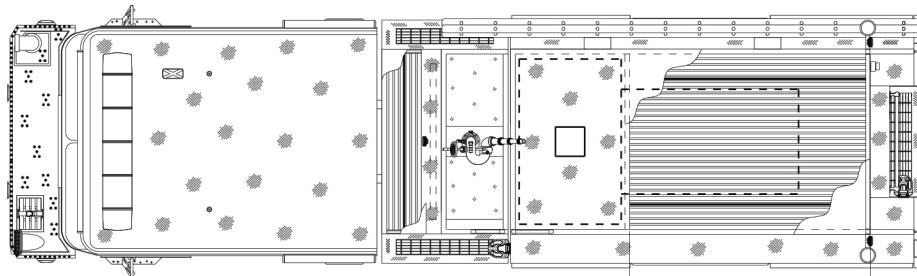


OFFICER SIDE VIEW

43 FRAME CUT



FRONT VIEW

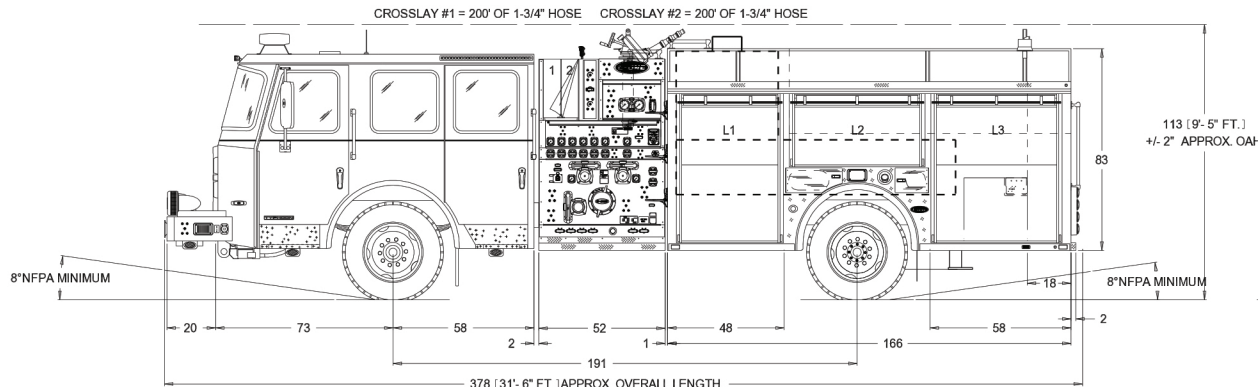


TOP VIEW

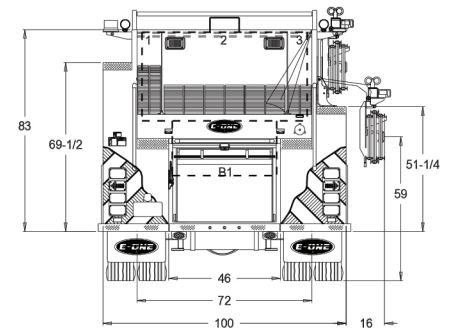
99

COMPARTMENT DIMENSIONS		
COMPT.	CLEAR DOOR OPENING (W x H):	COMPARTMENT INTERIOR (W x H x LD/UD):
L1	39-1/2"W x 55"H	44"W x 31-1/4"H x 27"D L / 44"W x 34-1/4"H x 14"D U
L2	51-1/2"W x 23-3/4"H	54"W x 34-1/4"H x 14"D
L3	49-1/2"W x 55"H	54"W x 31-1/4"H x 27"D L / 54"W x 34-1/4"H x 14"D U
R1	39-1/2"W x 37"H	44"W x 31-1/4"H x 27"D L / 44"W x 16"H x 14"D U
R2	51-1/2"W x 10"H	60"W x 16"H x 14"D
R3	49-1/2"W x 37"H	54"W x 31-1/4"H x 27"D L / 54"W x 16"H x 14"D U
B1	39"W x 23-3/4"H	46"W x 35"H x 26"D

HOSE BED LAYOUT:
 BED 1 = 400' OF 2-1/2" HOSE
 BED 2 = 500' OF 5" LDH
 BED 3 = 200' OF 2-1/2" HOSE



DRIVERS SIDE VIEW



REAR VIEW



DOLTON FIRE DEPARTMENT

QUOTE NO. 145080 (PTSS-TYPN)

PUMPER 780 GALLON L- TANK

TYPHOON MED. FLAT ROOF

FILE NAME: 145080 DOLTON FIRE DEPARTMENT